

STAINLESS STEEL WORKTABLES

EEF3-SERIES — ENCLOSED TABLE W/ REAR TURN-UP & UNDERSHELF

PROJECT#: _____

ITEM# _____

MODEL# _____

SPECIFICATIONS:

ECONOMY— EEF3-Series: 400 Series Stainless Top, 400 Series Stainless Body & 400 Series Stainless Undershef

- TOP:** 16 GA.
400 Series Stainless
- SHELF:** 18 GA.
400 Series Stainless
- BODY:** 20 GA.
400 Series Stainless
- LEGS:** 1 1/2" Square
Tubular Stainless Steel

STANDARD— SEF3-Series: 300 Series Stainless Top, 300 Series Stainless Body & 300 Series Stainless Undershef

- TOP:** 16 GA.
300 Series Stainless
- SHELF:** 18 GA.
300 Series Stainless
- BODY:** 20 GA.
300 Series Stainless
- LEGS:** 1 1/2" Square
Tubular Stainless Steel

HEAVY DUTY— HEF3-Series: 300 Series Stainless Top, 300 Series Stainless Body & 300 Series Stainless Undershef

- TOP:** 14 GA.
300 Series Stainless
- SHELF:** 16 GA.
300 Series Stainless
- BODY:** 18 GA.
300 Series Stainless
- LEGS:** 1 1/2" Square
Tubular Stainless Steel

CONSTRUCTION:

- ◆ All Table Connection Points Fully Welded for Maximum Rigidity and Long Life
- ◆ S/S Adjustable Bullet Feet
- ◆ Sound Deadening Between Top and Reinforcing Channel
- ◆ Offsets on Body Ends for Flush Fit
- ◆ S/S Undershef Welded to Legs
- ◆ Table is Polished to #3 Finish
- ◆ Working Height 35" to 36 1/4"



- Amtekco Industries - Columbus, OH —Phone: (800) 336-4677
- N. Wasserstrom & Sons - Columbus, OH —Phone: (800) 444-4697
- DCS IV - Peoria, AZ—Phone: (800) 592-3274
- GEN III - Fountain Inn, SC—Phone: (800)673-3339
- GKS - Garland, TX—Phone (972) 485-4579

SPECIFICATIONS SUBJECT TO CHANGE WITHOUT NOTICE 01/09

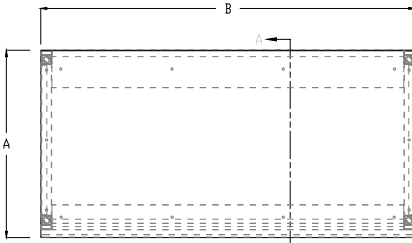
ECONOMY - EEF3 - SERIES						
24" WIDE	QTY	30" WIDE	QTY	36" WIDE	QTY	LENGTH (INCHES)
EEF3-2424		EEF3-3024		EEF3-3624		24
EEF3-2430		EEF3-3030		EEF3-3630		30
EEF3-2436		EEF3-3036		EEF3-3636		36
EEF3-2442		EEF3-3042		EEF3-3642		42
EEF3-2448		EEF3-3048		EEF3-3648		48
EEF3-2454		EEF3-3054		EEF3-3654		54
EEF3-2460		EEF3-3060		EEF3-3660		60
EEF3-2466		EEF3-3066		EEF3-3666		66
EEF3-2472		EEF3-3072		EEF3-3672		72
EEF3-2478		EEF3-3078		EEF3-3678		78
EEF3-2484		EEF3-3084		EEF3-3684		84
EEF3-2490		EEF3-3090		EEF3-3690		90
EEF3-2496		EEF3-3096		EEF3-3696		96
EEF3-24102		EEF3-30102		EEF3-36102		102
EEF3-24108		EEF3-30108		EEF3-36108		108
EEF3-24114		EEF3-30114		EEF3-36114		114
EEF3-24120		EEF3-30120		EEF3-36120		120
STANDARD - SEF3 - SERIES						
24" WIDE	QTY	30" WIDE	QTY	36" WIDE	QTY	LENGTH (INCHES)
SEF3-2424		SEF3-3024		SEF3-3624		24
SEF3-2430		SEF3-3030		SEF3-3630		30
SEF3-2436		SEF3-3036		SEF3-3636		36
SEF3-2442		SEF3-3042		SEF3-3642		42
SEF3-2448		SEF3-3048		SEF3-3648		48
SEF3-2454		SEF3-3054		SEF3-3654		54
SEF3-2460		SEF3-3060		SEF3-3660		60
SEF3-2466		SEF3-3066		SEF3-3666		66
SEF3-2472		SEF3-3072		SEF3-3672		72
SEF3-2478		SEF3-3078		SEF3-3678		78
SEF3-2484		SEF3-3084		SEF3-3684		84
SEF3-2490		SEF3-3090		SEF3-3690		90
SEF3-2496		SEF3-3096		SEF3-3696		96
SEF3-24102		SEF3-30102		SEF3-36102		102
SEF3-24108		SEF3-30108		SEF3-36108		108
SEF3-24114		SEF3-30114		SEF3-36114		114
SEF3-24120		SEF3-30120		SEF3-36120		120
HEAVY DUTY - HEF3- SERIES						
24" WIDE	QTY	30" WIDE	QTY	36" WIDE	QTY	LENGTH (INCHES)
HEF3-2424		HEF3-3024		HEF3-3624		24
HEF3-2430		HEF3-3030		HEF3-3630		30
HEF3-2436		HEF3-3036		HEF3-3636		36
HEF3-2442		HEF3-3042		HEF3-3642		42
HEF3-2448		HEF3-3048		HEF3-3648		48
HEF3-2454		HEF3-3054		HEF3-3654		54
HEF3-2460		HEF3-3060		HEF3-3660		60
HEF3-2466		HEF3-3066		HEF3-3666		66
HEF3-2472		HEF3-3072		HEF3-3672		72
HEF3-2478		HEF3-3078		HEF3-3678		78
HEF3-2484		HEF3-3084		HEF3-3684		84
HEF3-2490		HEF3-3090		HEF3-3690		90
HEF3-2496		HEF3-3096		HEF3-3696		96
HEF3-24102		HEF3-30102		HEF3-36102		102
HEF3-24108		HEF3-30108		HEF3-36108		108
HEF3-24114		HEF3-30114		HEF3-36114		114
HEF3-24120		HEF3-30120		HEF3-36120		120

STAINLESS STEEL WORKTABLES EF3-SERIES — ENCLOSED TABLE W/ REAR TURN-UP & UNDERSHELF

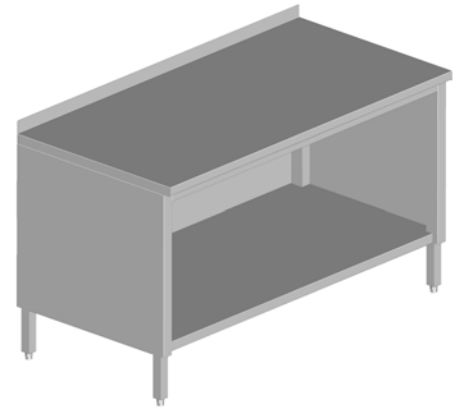
PROJECT#: _____

ITEM# _____

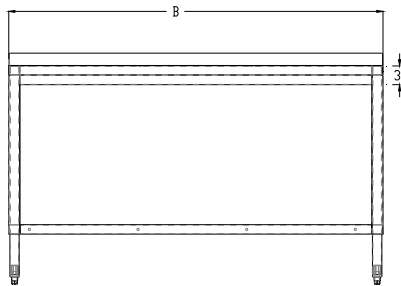
MODEL# _____



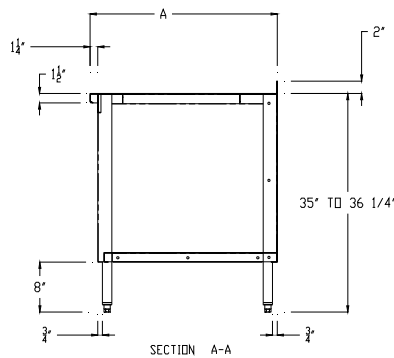
PLAN



- ◆ 35" Working Height is with Adj. Bullet Feet in Shortest Position
- ◆ Tables At or Above 78" Will Require (3) Sets of Legs.



ELEVATION



SECTION A-A

A WIDTH	B LENGTH	EEF3 - SERIES 16 GA. 400 SERIES S/S TOP & 18 GA. 400 SERIES S/S UNDERSHELF	SEF3 - SERIES 16 GA. 300 SERIES S/S TOP & 18 GA. 300 SERIES S/S UNDERSHELF	HEF3 - SERIES 14 GA. 300 SERIES S/S TOP & 16 GA. 300 SERIES S/S UNDERSHELF	#Of Legs	Product Weight (lbs)
24" WIDE						
24	24	EEF3-2424	SEF3-2424	HEF3-2424	4	96
24	30	EEF3-2430	SEF3-2430	HEF3-2430	4	118
24	36	EEF3-2436	SEF3-2436	HEF3-2436	4	139
24	48	EEF3-2448	SEF3-2448	HEF3-2448	4	166
24	60	EEF3-2460	SEF3-2460	HEF3-2460	4	194
24	72	EEF3-2472	SEF3-2472	HEF3-2472	4	222
24	84	EEF3-2484	SEF3-2484	HEF3-2484	6	249
24	96	EEF3-2496	SEF3-2496	HEF3-2496	6	277
24	108	EEF3-24108	SEF3-24108	HEF3-24108	6	304
24	120	EEF3-24120	SEF3-24120	HEF3-24120	6	332
30" WIDE						
30	24	EEF3-3024	SEF3-3024	HEF3-3024	4	89
30	30	EEF3-3030	SEF3-3030	HEF3-3030	4	113
30	36	EEF3-3036	SEF3-3036	HEF3-3036	4	136
30	48	EEF3-3048	SEF3-3048	HEF3-3048	4	165
30	60	EEF3-3060	SEF3-3060	HEF3-3060	4	195
30	72	EEF3-3072	SEF3-3072	HEF3-3072	4	225
30	84	EEF3-3084	SEF3-3084	HEF3-3084	6	254
30	96	EEF3-3096	SEF3-3096	HEF3-3096	6	284
30	108	EEF3-30108	SEF3-30108	HEF3-30108	6	313
30	120	EEF3-30120	SEF3-30120	HEF3-30120	6	343
36" WIDE						
36	24	EEF3-3624	SEF3-3624	HEF3-3624	4	114
36	30	EEF3-3630	SEF3-3630	HEF3-3630	4	141
36	36	EEF3-3636	SEF3-3636	HEF3-3636	4	167
36	48	EEF3-3648	SEF3-3648	HEF3-3648	4	199
36	60	EEF3-3660	SEF3-3660	HEF3-3660	4	232
36	72	EEF3-3672	SEF3-3672	HEF3-3672	4	265
36	84	EEF3-3684	SEF3-3684	HEF3-3684	6	297
36	96	EEF3-3696	SEF3-3696	HEF3-3696	6	330
36	108	EEF3-36108	SEF3-36108	HEF3-36108	6	362
36	120	EEF3-36120	SEF3-36120	HEF3-36120	6	395